

The Blink is well suited for perimeter lighting around residential and commercial buildings, staircase and outdoor canopies, serving as illumination for pedestrian walkways.



General Data

Housing	LM6 Die cast aluminium (EN 1706 AC-44100)
Diffuser	Opal acrylic diffuser
Surge protection	10kV/kA 20kV/kA optional
Housing finish	Powder coated
Mounting	Surface
Mounting fasteners	Not included
Nominal Voltage	198V - 240V 50/60Hz
Operating temperature	-35 °C to + 50 °C

Technical Data

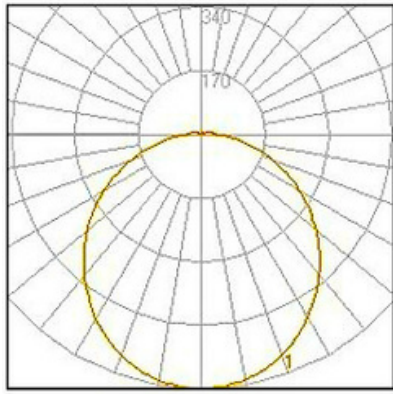
Full product name	Luminous Flux	Efficacy	Weight	LED Lifetime
Blink 11W LED Bulkhead	1369	124lm/w	1kg	100,000hrs
Blink 16W LED Bulkhead	1838	114lm/w	1kg	100,000hrs

Technical Data Eyelet

Full product name	Luminous Flux	Efficacy	Weight	LED Lifetime
Blink 11W LED Bulkhead	852	77lm/w	1kg	100,000hrs
Blink 16W LED Bulkhead	1140	71lm/w	1kg	100,000hrs

*All specifications are indicative only and could differ from final product

Polar curves



Ordering Data (*optional)

Colours: Black / White

CCT: *3000K / 4000K / *5000K / *5500K

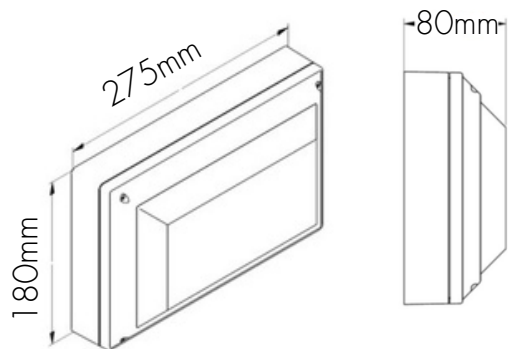
Features: IP65 / Tamper proof / Impact resistant diffuser

Installation: Surface

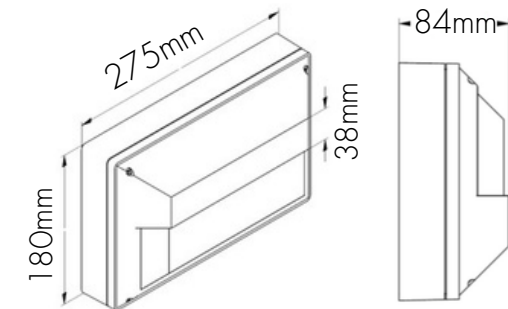
Accessories: Battery back-up 1 or 3 hours maintained at 20% output.

Applications: Walls / Ceilings / Commercial / Residential / Industrial

Dimensions



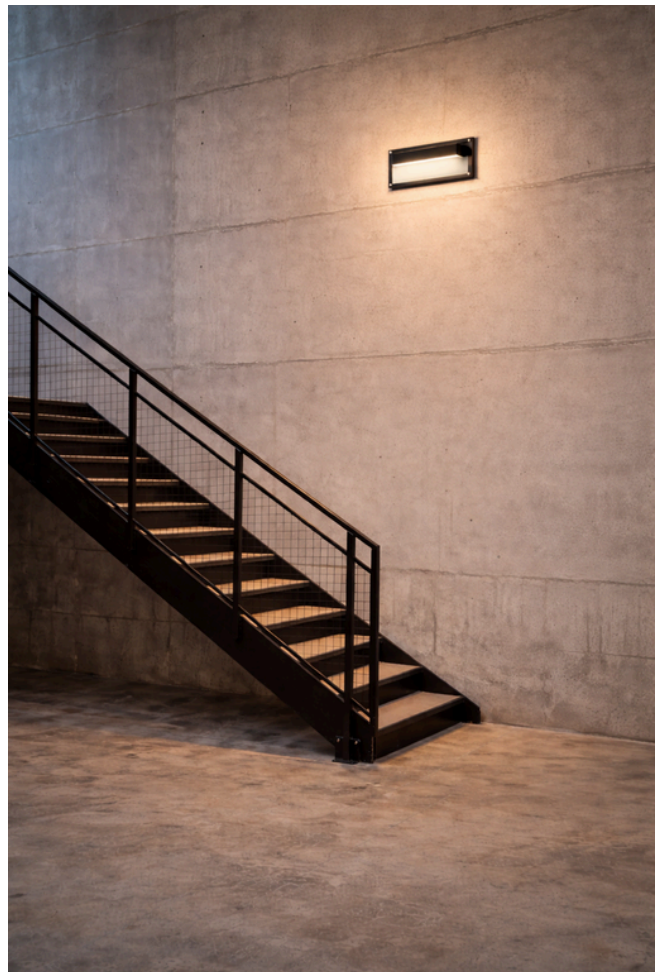
Auge Bulkhead



Top Eyelid Auge Bulkhead

Mounting instructions

- Ensure that the power has been disconnected
- Remove existing fitting if present
- Connect the 220V incoming line to the supplied "pigtail"
- Mount the luminaire to the surface
- Tighten the fasteners to no more than 9 nm
- Test the luminaire to ensure that it is functioning correctly
- **NB - This luminaire must be installed by an accredited and qualified electrician**



Locally manufactured *the images shown are for illustration purposes only and may not be an exact representation of the final product. 5 Year warranty (terms and conditions apply)