

The CPL 100 is an economical and energy efficient post-top luminaire for a range of lamps. It provides a functional, economic and energy efficient concept for residential lighting applications.



General Data

Housing	Die-cast aluminum spigot, Polycarbonate lid
Diffuser	Acrylic (impact resistant)
Surge protection	10kV/kA 20kV/kA optional
Housing finish	Powder coated or raw aluminium
Spigot entry	76mm Bottom entry
Spigot entry depth	120mm
Nominal Voltage	198V - 240V 50/60Hz
Operating temperature	-35 °C to + 50 °C

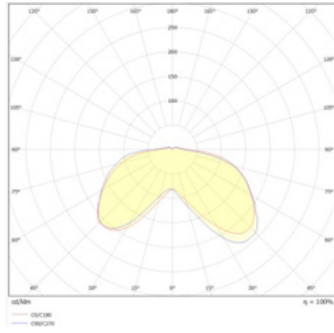
Technical Data

Full product name	Luminous Flux	Efficacy	Weight	LED Lifetime
CPL-100 30W LED Post-top	5040	168lm/w	4kg	50,000hrs
CPL-100 40W LED Post-top	6597	164lm/w	4kg	50,000hrs
CPL-100 50W LED Post-top	7617	152lm/w	4kg	50,000hrs
CPL-100 55W LED Post-top	7892	143lm/w	4kg	50,000hrs
CPL-100 60W LED Post-top	8242	137lm/w	4.1kg	50,000hrs
CPL-100 70W HPS Post-top	6600	94lm/w	4.7kg	50,000hrs
CPL-100 100W HPS Post-top	10200	102lm/w	5.2kg	50,000hrs
CPL-100 125W MV Post-top	6300	50lm/w	4.5kg	50,000hrs
CPL-100 1xE27 GLS Post-top	N/A	N/A	3kg	N/A

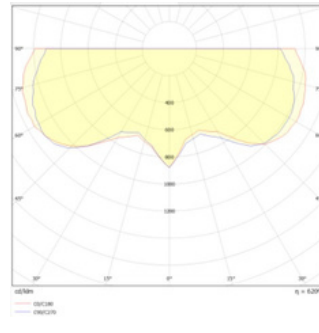
*All specifications are indicative only and could differ from final product

Polar curves

LED



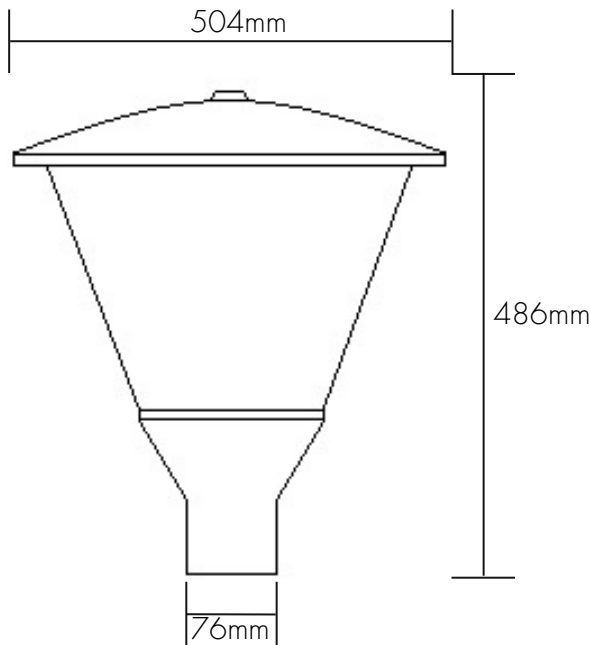
HID



Ordering Data (*optional)

Colours:	Grey / Black / Green / Unpainted with Grey lid
CCT:	*3000K / 4000K / *5000K / *5500K
Features	IP66 / Removable Gear-tray for ease of maintenance and retrofits
Installation:	3m to 8m pole top / Wall mounted bracket
Accessories:	Wall mounted bracket, pedestal mount
Applications:	Roadway lighting / Perimeter lighting / Security / Parks / Suburban roads
Lamp Types:	LED / 70W SON-E / 70W SON-E-i / 100W SON-E / 125W MVE / 1xE27 GLS

Dimensions



Mounting instructions

- Ensure that the power has been disconnected from the pole
- Remove existing fitting if present
- Connect the 220V incoming line to the supplied "pigtail"
- Slip the luminaire over the pole
- Tighten the grubscrews to no more than 9 nm
- Test the luminaire to ensure that it is functioning correctly
- **NB - This luminaire must be installed by an accredited and qualified electrician**

Locally manufactured *the images shown are for illustration purposes only and may not be an exact representation of the final product. 5 Year warranty (terms and conditions apply)