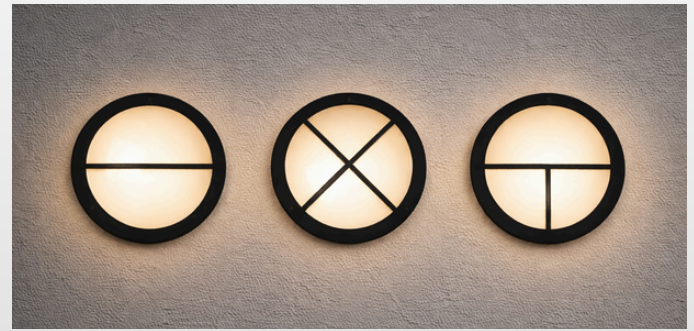




The Comet is the culmination of bringing cutting edge electronic components and optics all into one unit. Offering excellent performance and superior photometrics, the Comet is the perfect luminaire for any roadway project.



General Data

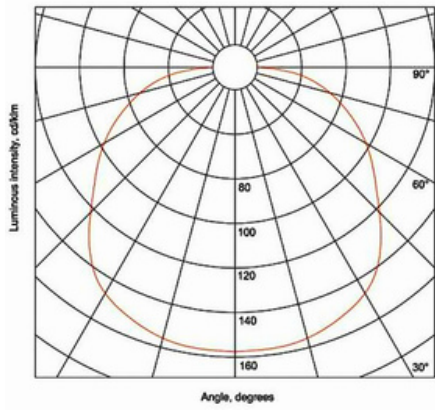
Housing	LM6 Die cast aluminium (EN 1706 AC-44100)
Diffuser	Domed Opal acrylic diffuser
Surge protection	10kV/kA 20kV/kA optional
Housing finish	Powder coated
Mounting	Surface
Mounting fasteners	Not included
Nominal Voltage	198V - 240V 50/60Hz
Operating temperature	-35 °C to + 50 °C

Technical Data *5 year warranty due to only using a lamp holder

Full product name	Luminous Flux	Efficacy	Weight	LED Lifetime
Comet 10W LED Bulkhead	1296	129lm/w	1.24kg	100,000hrs
Comet 15W LED Bulkhead	1780	118lm/w	1.24kg	100,000hrs
Comet 20W LED Bulkhead	2350	117lm/w	1.3kg	100,000hrs
Comet 1xE27 Bulkhead	N/A	N/A	1kg	*5 years
Comet 2xE27 Bulkhead	N/A	N/A	1.1kg	*5 years

*All specifications are indicative only and could differ from final product

Polar curves



Ordering Data (*optional)

Colours: Grey / Black / Green / White

CCT: *3000K / 4000K / *5000K / *5500K

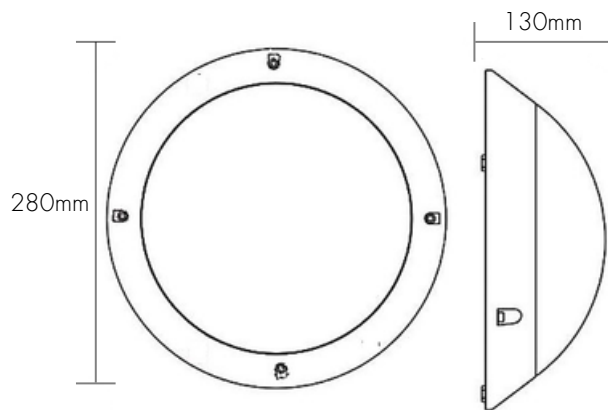
Features: IP66 / Tamper proof / Impact resistant diffuser

Installation: Surface

Accessories: Battery back-up 1 or 3 hours maintained at 20% output.

Applications: Walls / Ceilings / Commercial / Residential / Industrial

Dimensions



Mounting instructions

- Ensure that the power has been disconnected
- Remove existing fitting if present
- Connect the 220V incoming line to the supplied "pigtail"
- Mount the luminaire to the surface
- Tighten the fasteners to no more than 9 nm
- Test the luminaire to ensure that it is functioning correctly
- **NB - This luminaire must be installed by an accredited and qualified electrician**

Locally manufactured *the images shown are for illustration purposes only and may not be an exact representation of the final product. 5 Year warranty (terms and conditions apply)