



The Antley Disk Luminaire is a contrasting luminaire compared to other contemporary fittings currently available. Utilising a spun aluminium "Disk" and cylindrical diffuser creates a futuristic luminaire that will enhance any installation.



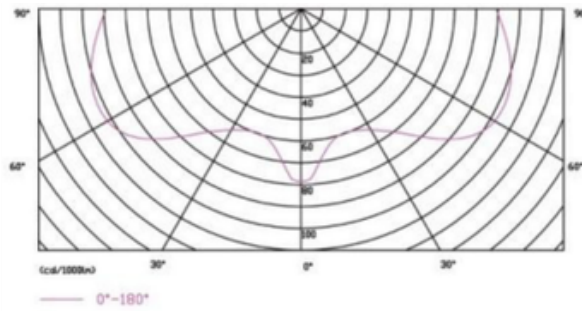
## General Data

Housing	Die-cast aluminum spigot, Spun aluminium lid	
Diffuser	Acrylic (impact resistant)	
Surge protection	10kV/kA	20kV/kA optional
Housing finish	Powder coated	
Spigot entry	76mm Bottom entry	
Spigot entry depth	120mm	
Nominal Voltage	198V - 240V 50/60Hz	
Operating temperature	-35 °C to + 50 °C	

## Technical Data

Full product name	Luminous Flux	Efficacy	Weight	LED Lifetime
Disk 40W LED Post-Top	6597	164lm/w	6.2kg	50,000hrs
Disk 26W CFL Post-Top	1200	46lm/w	6.6kg	50,000hrs
Disk 80W MV Post-Top	3700	46lm/w	6.9kg	50,000hrs
Disk 125W MV Post-Top	6300	50lm/w	7.1kg	50,000hrs
Disk 70W HPS Post-Top	6600	94lm/w	6.8kg	50,000hrs
Disk 100W HPS Post-Top	10200	102lm/w	7.2kg	50,000hrs
Disk 150W HPS Post-Top	16100	107lm/w	7.9kg	50,000hrs
Disk E27 GLS Post-Top	N/A	N/A	6kg	N/A

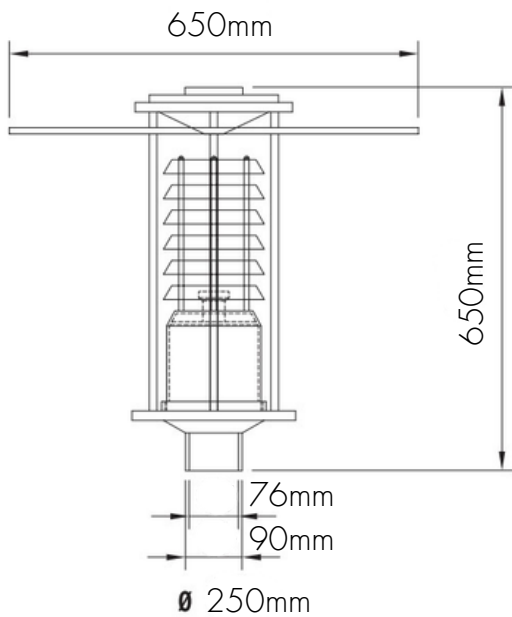
# Polar curve



## Ordering Data (\*optional)

Colours:	Grey / Black / Green
CCT:	* 3000K / 4000K / * 5000K / * 5500K
Features	IP65
Installation:	3m to 8m pole top / Wall mounted bracket
Accessories:	Wall mounted bracket, pedestal mount
Applications:	Roadway lighting / Perimeter lighting / Security / Parks / Suburban roads
Lamp Types:	LED / 70W SON-E / 70W SON-E-i / 100W SON-E / 150W SON-E / 80W MV 125W MV / 26W CFL / 1xE27 GLS

## Dimensions



## Mounting instructions

- Ensure that the power has been disconnected from the pole
- Remove existing fitting if present
- Connect the 220V incoming line to the supplied "pigtail"
- Slip the luminaire over the pole
- Tighten the grub screws to no more than 9 nm
- Test the luminaire to ensure that it is functioning correctly
- **NB - This luminaire must be installed by an accredited and qualified electrician**

Locally manufactured \*the images shown are for illustration purposes only and may not be an exact representation of the final product. 5 Year warranty (terms and conditions apply)