

The Monate Post-top is a stylish and modern luminaire perfect for residential lighting applications. Utilising an indirect reflector and various wattages gives the Monate excellent photometrics and efficiency.



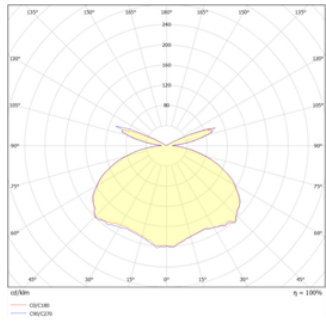
General Data

Housing	Die-cast aluminum spigot, Polycarbonate lid
Diffuser	Acrylic (impact resistant), Polycarbonate reflector
Surge protection	10kV/kA 20kV/kA optional
Housing finish	Powder coated or raw aluminium
Spigot entry	76mm Bottom entry
Spigot entry depth	120mm
Nominal Voltage	198V - 240V 50/60Hz
Operating temperature	-35 °C to + 50 °C

Technical Data

Full product name	Luminous Flux	Efficacy	Weight	LED Lifetime
Monate 30W LED Post-top	5040	168lm/w	4kg	50,000hrs
Monate 40W LED Post-top	6597	164lm/w	4kg	50,000hrs
Monate 50W LED Post-top	7617	152lm/w	4kg	50,000hrs
Monate 55W LED Post-top	7892	143lm/w	4kg	50,000hrs

Polar curve



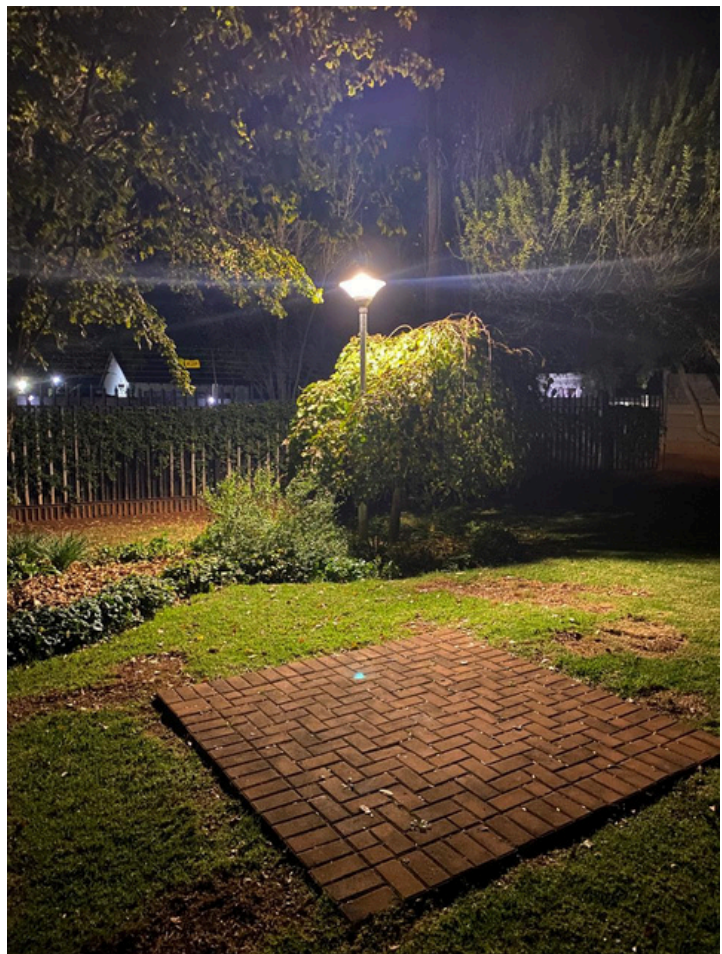
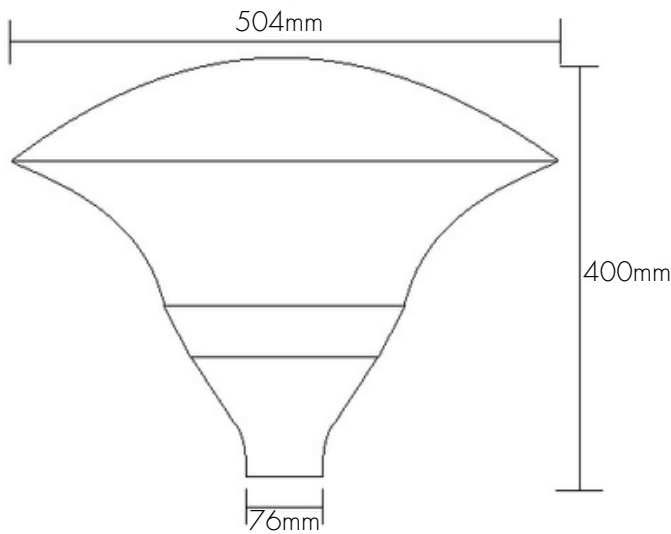
Police Version



Ordering Data (*optional)

Colours:	Grey / Black / Green / Unpainted with Grey lid
CCT:	*3000K / 4000K / *5000K / *5500K
Features	IP66 / Removable Gear-tray for ease of maintenance / Indirect reflector system
Installation:	3m to 8m pole top / Wall mounted bracket
Accessories:	Wall bracket, pedestal mount / Police version / Asymmetric reflector
Applications:	Roadway lighting / Perimeter lighting / Security / Parks / Suburban roads

Dimensions



Mounting instructions

- Ensure that the power has been disconnected from the pole
- Remove existing fitting if present
- Connect the 220V incoming line to the supplied "pigtail"
- Slip the luminaire over the pole
- Tighten the grub screws to no more than 9 nm
- Test the luminaire to ensure that it is functioning correctly
- **NB - This luminaire must be installed by an accredited and qualified electrician**

Locally manufactured *the images shown are for illustration purposes only and may not be an exact representation of the final product. 5 Year warranty (terms and conditions apply)