

The Antley Ecoway Streetlight is an affordable option for roadway installations. The HID version is an affordable option which provides tried and tested reliability.

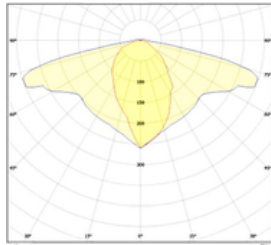


General Data

Housing	Injection moulded polycarbonate	
Diffuser	Injection moulded acrylic	
Surge protection	10kV/kA optional	20kV/kA optional
Housing finish	Grey Polycarbonate	
Spigot entry	42mm side entry	
Spigot entry depth	125mm	
Nominal Voltage	198V - 240V 50/60Hz	
Operating temperature	-35 °C to + 50 °C	

Technical Data

Full product name	Luminous Flux	Efficacy	Weight	LED Lifetime
Ecoway 70W HPS Streetlight	6600	94lm/w	4.5kg	50,000hrs
Ecoway 100W HPS Streetlight	10200	102lm/w	5kg	50,000hrs
Ecoway 150W HPS Streetlight	16100	107lm/w	5.5kg	50,000hrs
Ecoway 125W MV Streetlight	6300	50lm/w	4.5kg	50,000hrs
Ecoway 1xE27 GLS Streetlight	N/A	N/A	3kg	N/A



Ordering Data (*optional)

Colours: Grey (black, white, green available on orders of 500 units or more)

Features IP66 / Separate control gear compartment

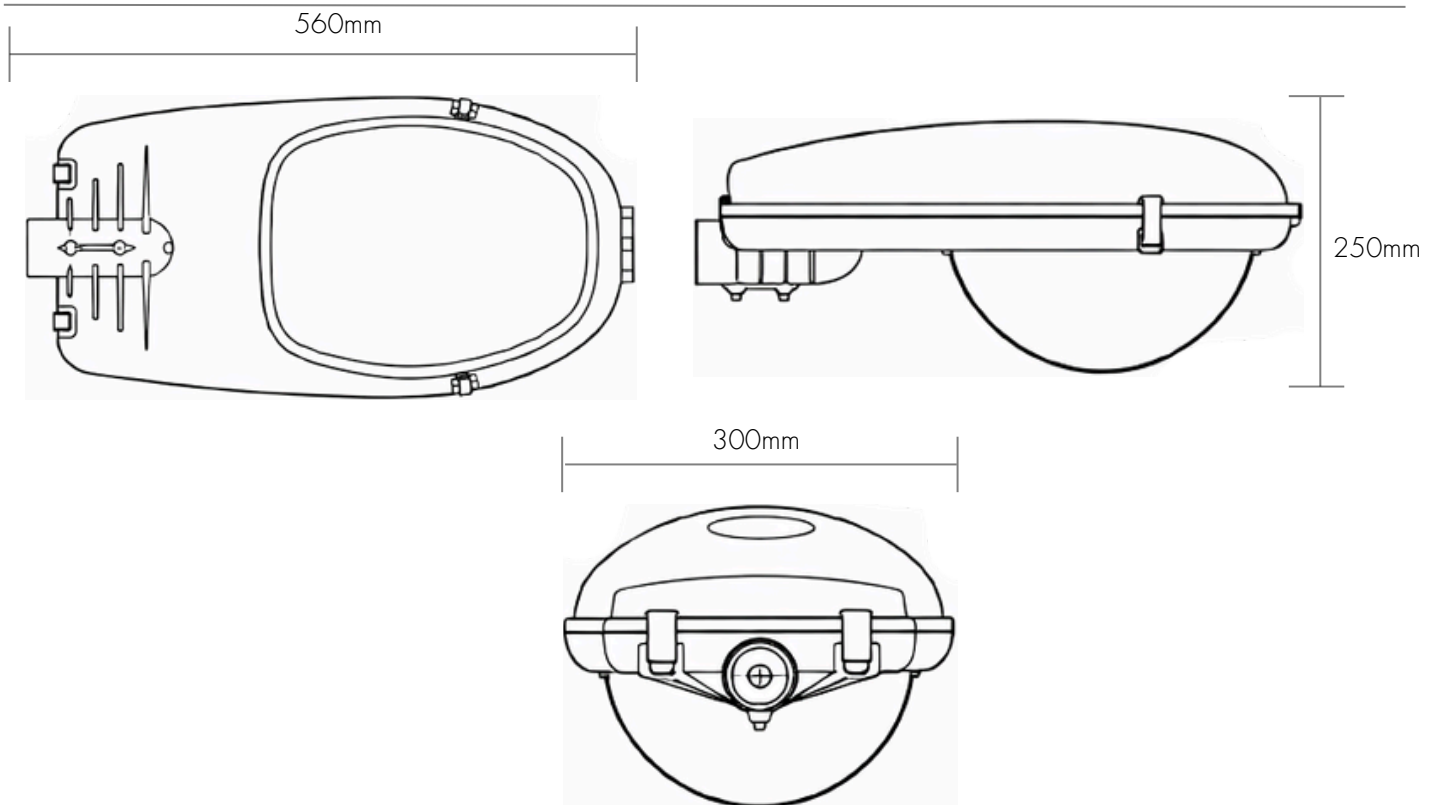
Installation: 3m to 12m mounting height / 150mm to 1500mm outreach

Accessories: DNS

Applications: Roadway lighting / Perimeter lighting / Security / Parks / Regional roads

Lamp Types: 70W SON-T / 70W SON-E / 70W SON-E-i / 100W SON-E / 150W SON-E
125W MVE / 1xE27 GLS

Dimensions



Mounting instructions

- Ensure that the power has been disconnected from the pole
- Remove existing fitting if present
- Connect the 220V incoming line to the supplied "pigtail"
- Slip the luminaire over the pole
- Tighten the grub screws to no more than 9 nm
- Test the luminaire to ensure that it is functioning correctly
- **NB - This luminaire must be installed by an accredited and qualified electrician**

Locally manufactured *the images shown are for illustration purposes only and may not be an exact representation of the final product. 5 Year warranty (terms and conditions apply)